



- Custom sizing
- 3 sill angles available – 0°, 8° and 14°
- Installation kit includes screws, straight shims, and backer rod
- Traditional styling
- Andersen™ 400 Series Divided Light grille options

Contents

Woodwright® Double-Hung Insert Windows

Basic Unit Details

Woodwright® Double-Hung Insert/Full Frame Comparison ... 2-17

Woodwright® Double-Hung Insert Units 2-18

Woodwright® Double-Hung Insert Location Details 2-19

Woodwright® Double-Hung Insert Sill Angles 2-20

Woodwright® Double-Hung Insert Picture Units 2-21

Woodwright® Double-Hung Insert Transom Units 2-22

Options / Accessories

Andersen® Grilles 2-23

Installation Trim Parts 2-25

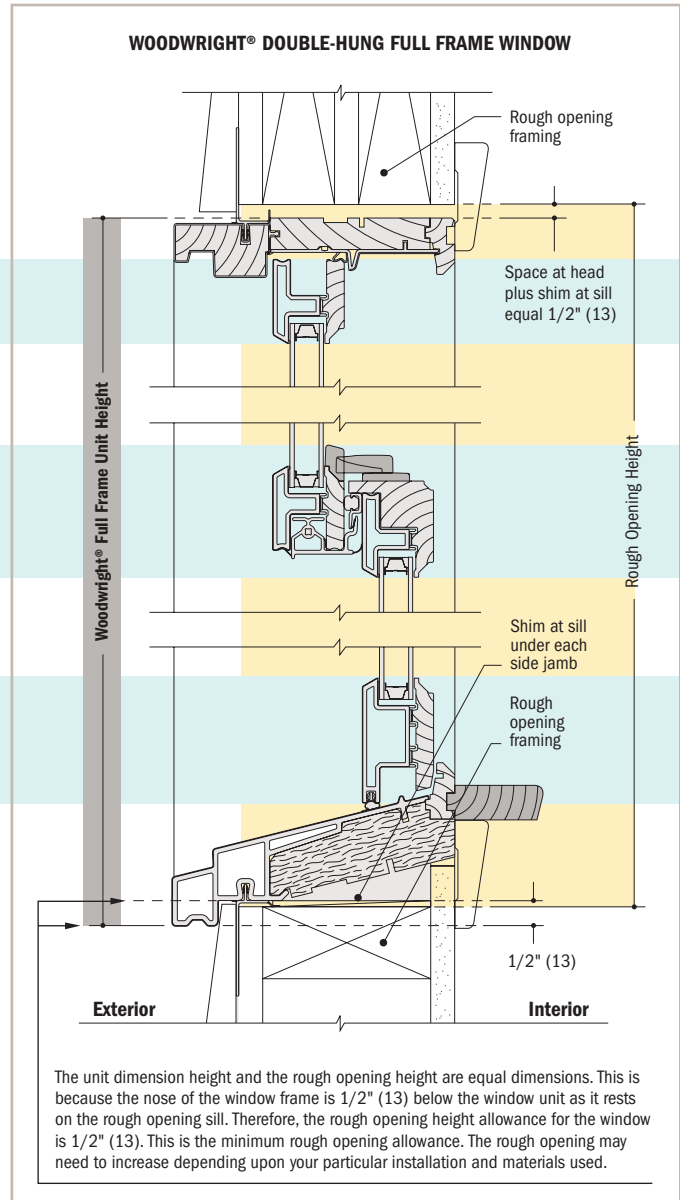
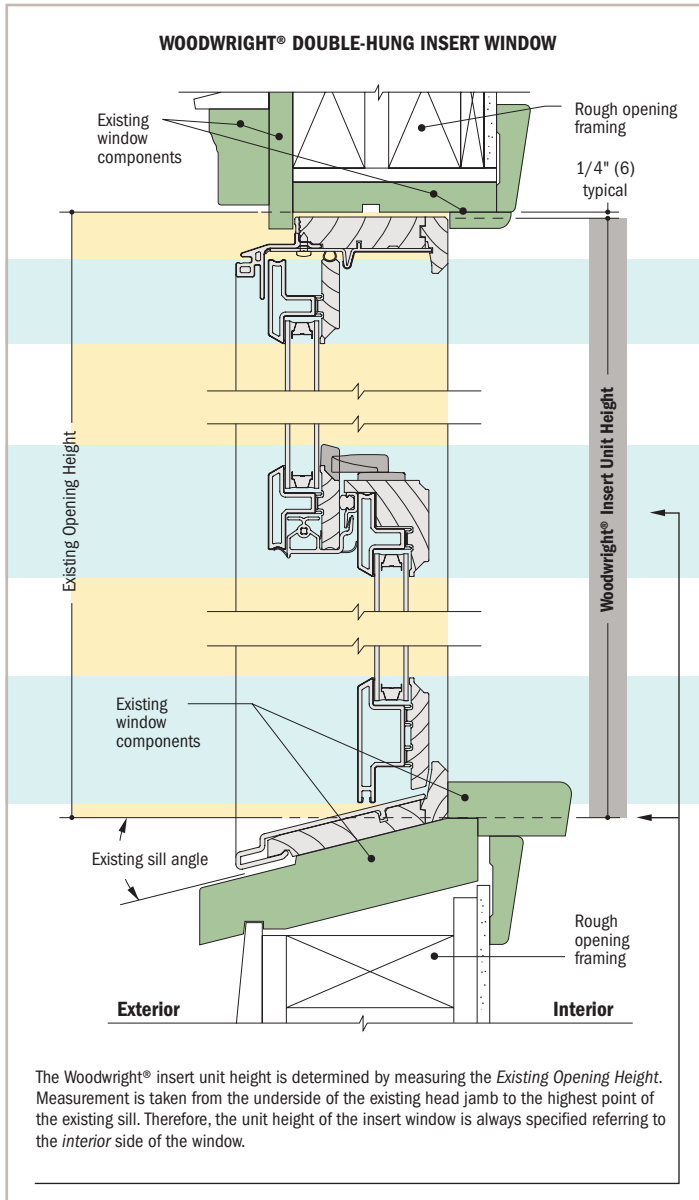
Joining Details 2-26

Anchoring Methods 2-27

Woodwright® Double-Hung Insert and Woodwright Double-Hung Window Full Frame Comparison

Scale 3" = 1'-0" (1:4)

The Woodwright double-hung insert window is an insert frame version of the Woodwright full frame double-hung window. It shares many features, benefits, and options with the Woodwright full frame window. The details below describe measuring and rough opening differences.



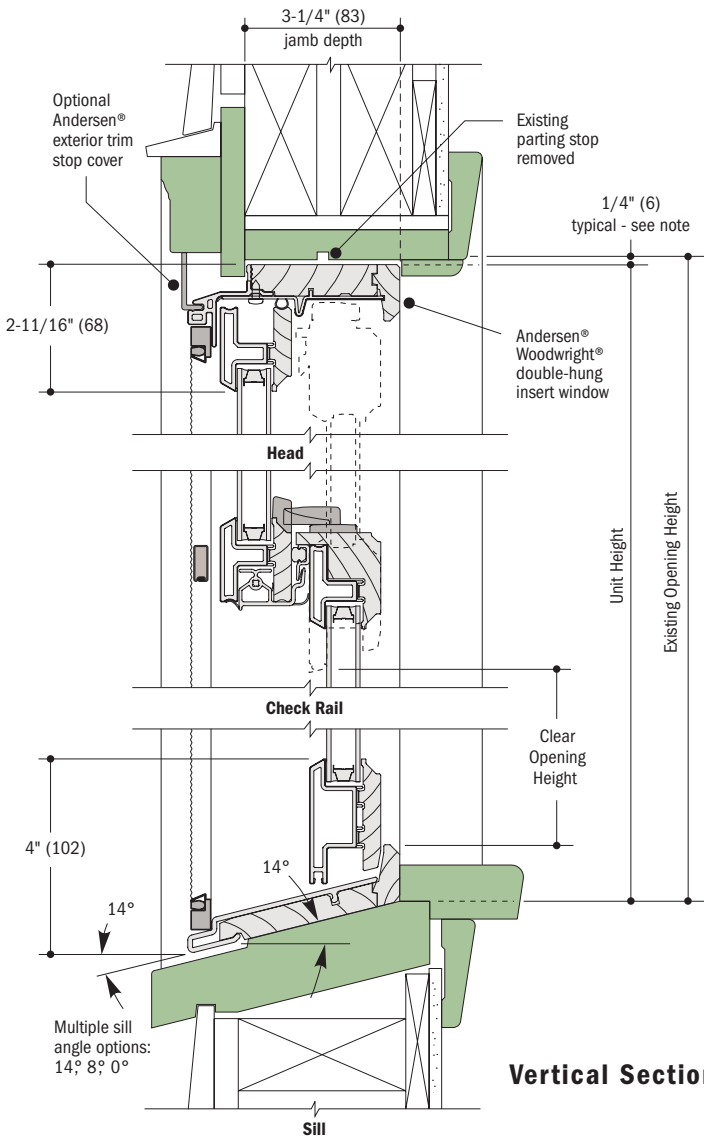
= Existing window and trim

Woodwright® Insert Unit Height
Woodwright® Full Frame Unit Height

Use this dimension for determining united inches of window for pricing.

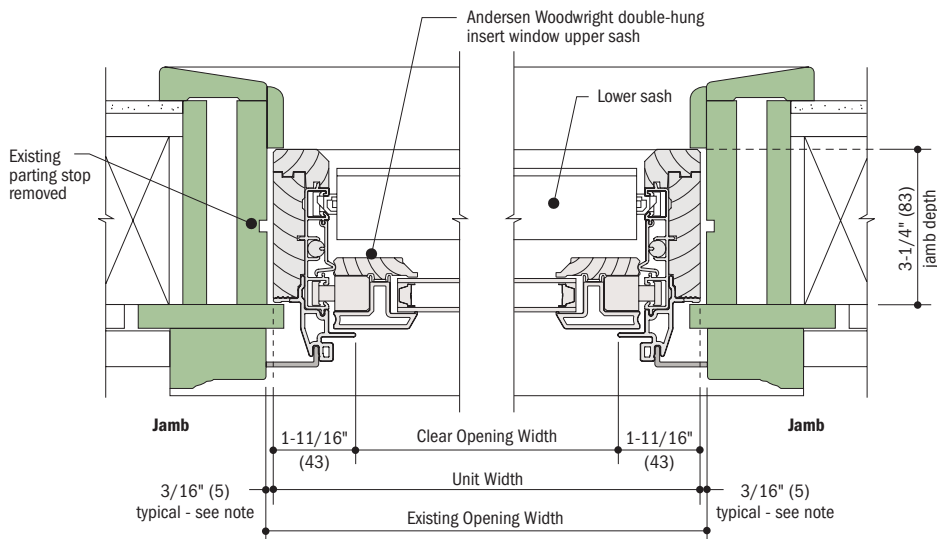
Basic Unit Details - Woodwright® Double-Hung Insert Window

Basic Unit Scale 3" = 1'-0" (1:4)



Note:
Each new insert window must be downsized sufficiently to allow it to be shimmed, leveled and squared inside the original window frame. The condition of the existing window frame may require downsized dimensions different from those shown in these details.

Vertical Section



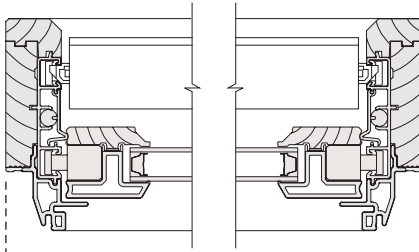
Horizontal Section

= Existing window and trim

Location of Woodwright® Double-Hung Insert Window in Existing Window Opening

Scale 3" = 1'-0" (1:4)

Andersen Woodwright Double-Hung Insert Window

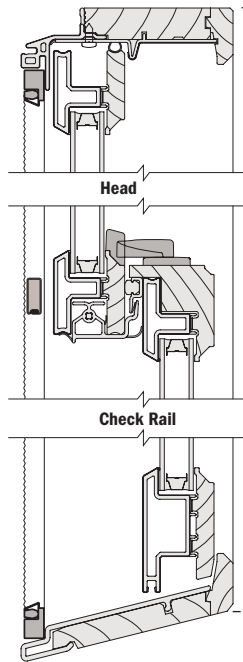
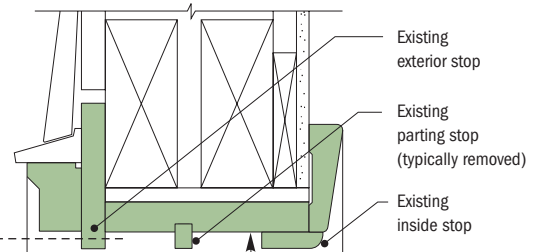
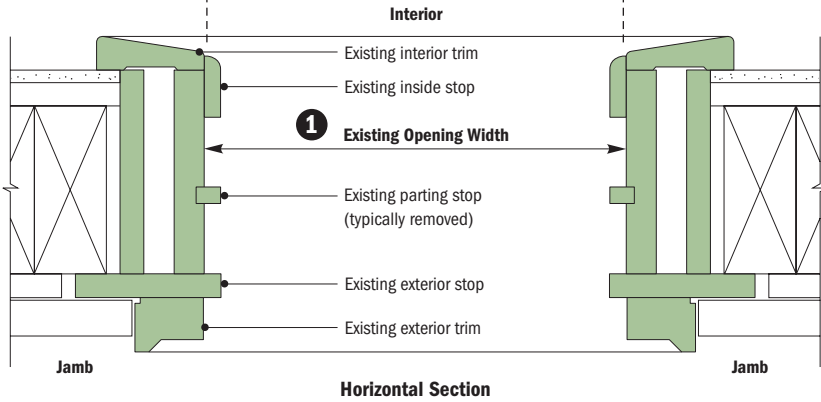


Required Measuring Information to Properly Specify Insert Windows

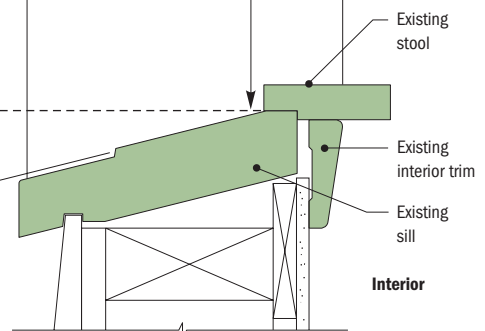
- 1 Existing opening width
- 2 Existing opening height
- 3 Existing sill angle

IMPORTANT

Always confirm that existing frame opening is plumb, square and level to accept the new insert window.



Andersen Woodwright Double-Hung Insert Window



= Existing window and trim

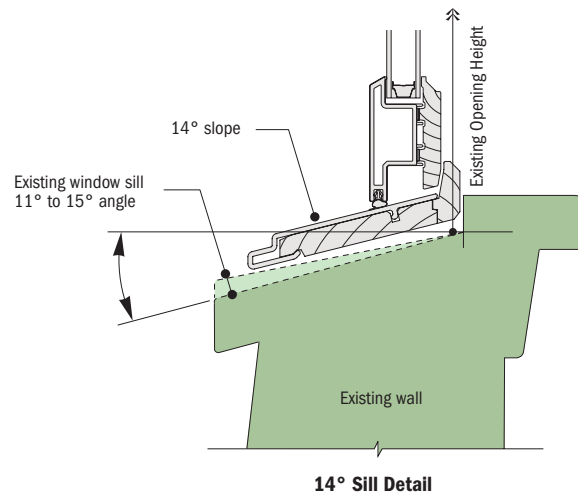
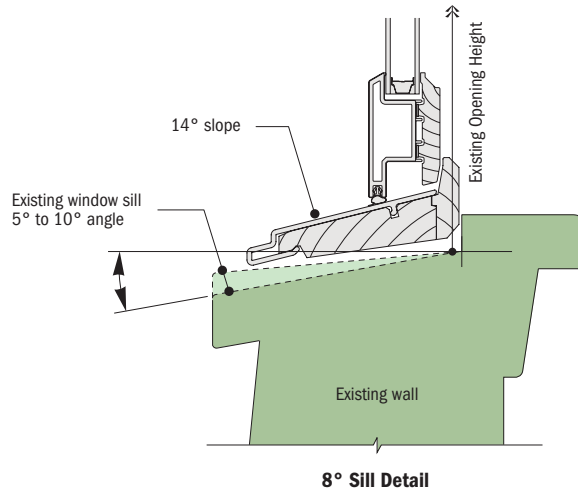
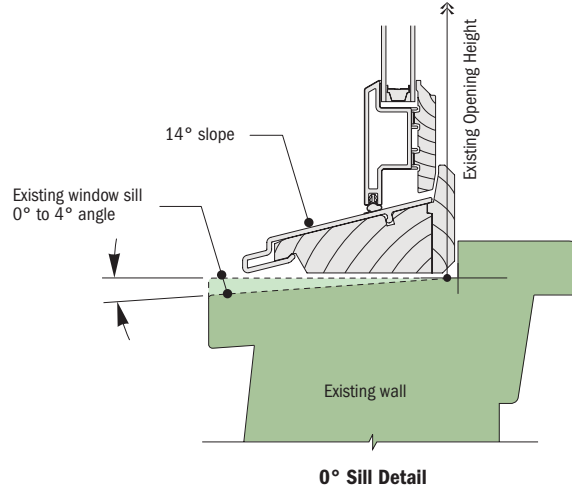
Vertical Section

Sill Angle Options

Scale 3" = 1'-0" (1:4)

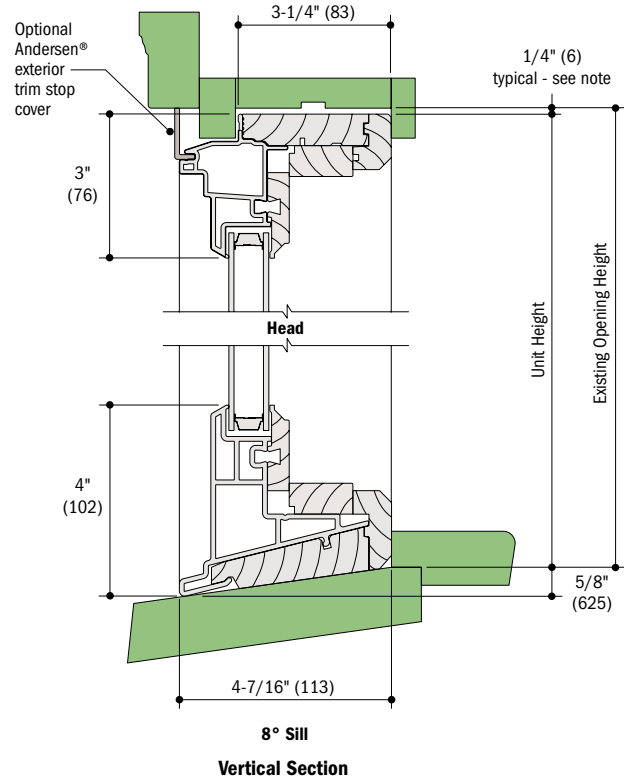
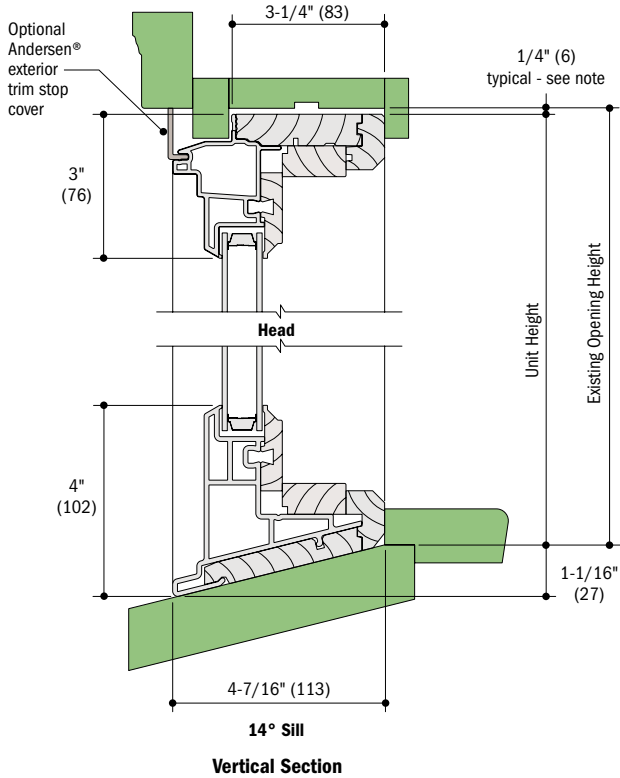
Select the Woodwright® insert window sill angle that most closely matches the existing sill angle. Units with smaller sill angle will have larger maximum.

Note: Insert window is shown slightly elevated from existing sill for illustration clarity. New insert window will sit directly on existing sill.

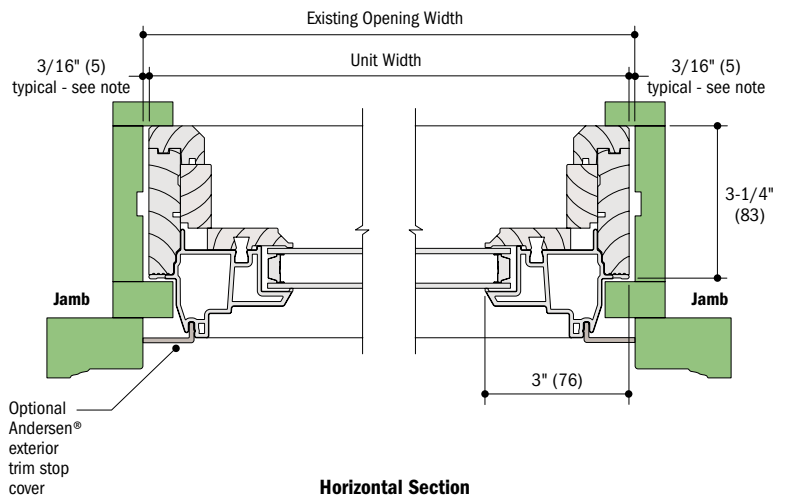
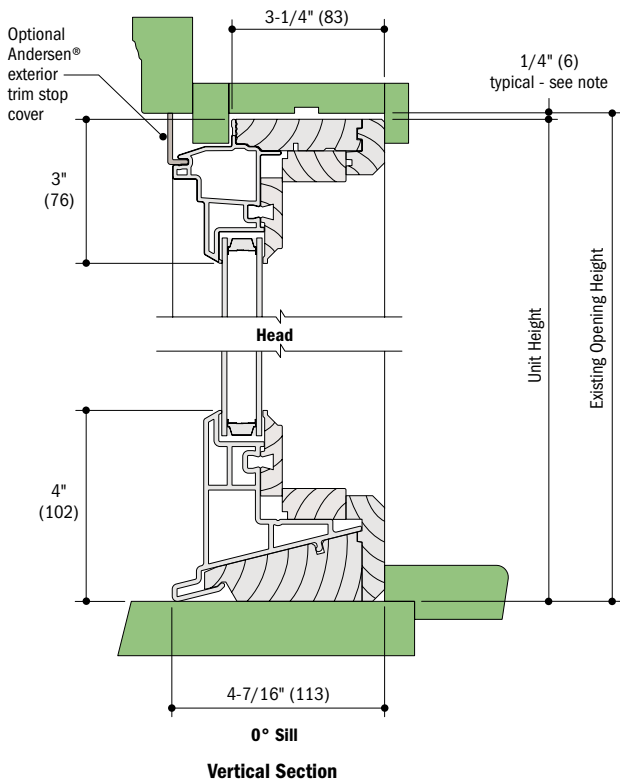


Basic Unit Details - Insert Picture Window

Picture Unit Scale 3" = 1'-0" (1:4)



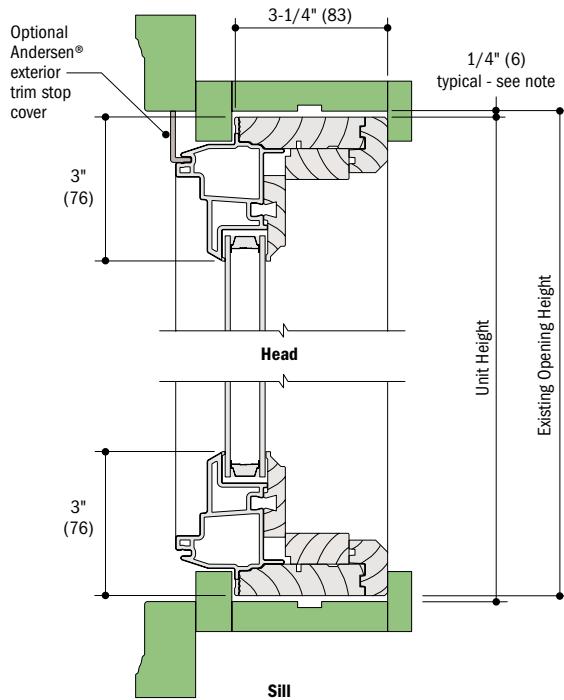
Note:
Each new insert window must be downsized sufficiently to allow it to be shimmed, leveled and squared inside the original window frame. The condition of the existing window frame may require downsized dimensions different from those shown in these details.



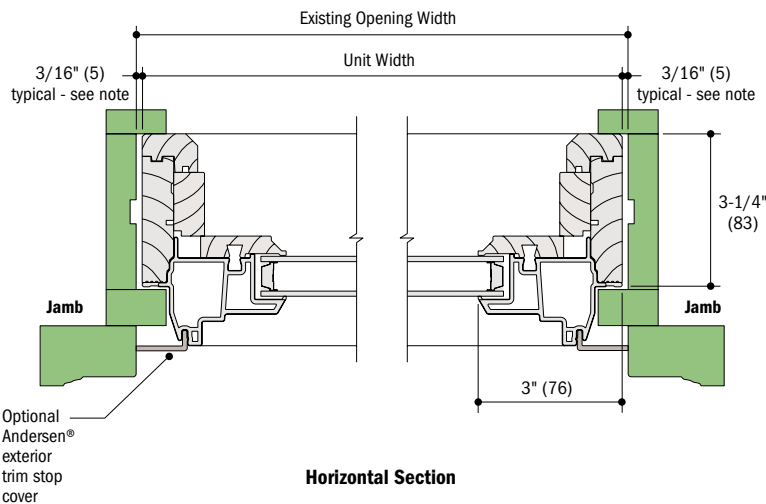
= Existing window and trim

Basic Unit Details - Insert Transom Window

Transom Unit Scale 3" = 1'-0" (1:4)



Note:
Each new insert window must be downsized sufficiently to allow it to be shimmed, leveled and squared inside the original window frame. The condition of the existing window frame may require downsized dimensions different from those shown in these details.






= Existing window and trim



Options / Accessories

Andersen® Divided Light Grilles

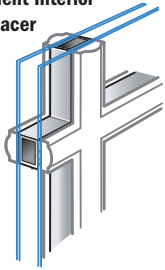
-  Available now
-  Available only with 3/8" glass through the Andersen Divided Light program
-  Please check with Andersen for availability

		Andersen® 400 Series Windows																Andersen® 400 Series Doors						
		Casement & Awning	Casement Picture	Gliding	Woodwright® Double-Hung & Transom	Woodwright® Picture	Woodwright® Archtop & Unequal Leg Archtop	Woodwright® Springline™ Single-Hung	Woodwright® Double-Hung Insert Products	Tilt-Wash Double-Hung & Transom	Tilt-Wash Picture	Circle Top™ & Quarter Round	Arch	Springline™	Flexframe®	Elliptical	Circle & Oval	Gothic	200 Series Narrowline® Double-Hung & Transom	Frenchwood® Gliding	Frenchwood® Hinged Inswing	Frenchwood® Hinged Outswing	Frenchwood® Patio Door Sidelights & Transoms	
Exterior Color	White	●	●	●	●	●	●	●	●	●	●	●	●	●	●	●	●	●	●	●	●	●	●	●
	Sandtone	●	●	●	●	●	●	●	●	●	●	●	●	●	●	●	●	●	●	●	●	●	●	●
	Terratone®	●	●	●	●	●	●	●	●	●	●	●	●	●	●	●	●	●	●	●	●	●	●	●
	Forest Green	●	●	●	●	●	●	●	●	●	●	●	●	●	●	●	●	●	●	●	●	●	●	●
Width	3/4"	●	●	●	●	●	●	●	●	●	●	●	●	●	●	●	●	●	●	●	●	●	●	●
	7/8"	●	●	●	●	●	●	●	●	●	●	●	●	●	●	●	●	●	●	●	●	●	●	●
	1-1/8"	●	●	●	●	●	●	●	●	●	●	●	●	●	●	●	●	●	●	●	●	●	●	●
	2-1/4"	●	●	●	●	●	●	●	●	●	●	●	●	●	●	●	●	●	●	●	●	●	●	●
Type	With Spacer	●	●	●	●	●	●	●	●	●	●	●	●	●	●	●	●	●	●	●	●	●	●	●
	Without Spacer	●	●	●	●	●	●	●	●	●	●	●	●	●	●	●	●	●	●	●	●	●	●	●
Interior	Maple	●	●	●	●	●	●	●	●	●	●	●	●	●	●	●	●	●	●	●	●	●	●	●
	Oak	●	●	●	●	●	●	●	●	●	●	●	●	●	●	●	●	●	●	●	●	●	●	●
	Prefinished	●	●	●	●	●	●	●	●	●	●	●	●	●	●	●	●	●	●	●	●	●	●	●
	Pine	●	●	●	●	●	●	●	●	●	●	●	●	●	●	●	●	●	●	●	●	●	●	●
Patterns	Colonial	●	●	●	●	●	●	●	●	●	●	●	●	●	●	●	●	●	●	●	●	●	●	●
	Modified Colonial	●	●	●	●	●	●	●	●	●	●	●	●	●	●	●	●	●	●	●	●	●	●	●
	Modified Col W/Check Rail	●	●	●	●	●	●	●	●	●	●	●	●	●	●	●	●	●	●	●	●	●	●	●
	Prairie A	●	●	●	●	●	●	●	●	●	●	●	●	●	●	●	●	●	●	●	●	●	●	●
	Short Fractional	●	●	●	●	●	●	●	●	●	●	●	●	●	●	●	●	●	●	●	●	●	●	●
	Short Fractional W/Check Rail	●	●	●	●	●	●	●	●	●	●	●	●	●	●	●	●	●	●	●	●	●	●	●
	Tall Fractional	●	●	●	●	●	●	●	●	●	●	●	●	●	●	●	●	●	●	●	●	●	●	●
	Tall Fractional W/Check Rail	●	●	●	●	●	●	●	●	●	●	●	●	●	●	●	●	●	●	●	●	●	●	●
	Victorian	●	●	●	●	●	●	●	●	●	●	●	●	●	●	●	●	●	●	●	●	●	●	●
	Renaissance	●	●	●	●	●	●	●	●	●	●	●	●	●	●	●	●	●	●	●	●	●	●	●
	Sunburst	●	●	●	●	●	●	●	●	●	●	●	●	●	●	●	●	●	●	●	●	●	●	●
	Specified Equal Light	●	●	●	●	●	●	●	●	●	●	●	●	●	●	●	●	●	●	●	●	●	●	●
	Custom	●	●	●	●	●	●	●	●	●	●	●	●	●	●	●	●	●	●	●	●	●	●	●
	Glass	HP/HP Tempered	●	●	●	●	●	●	●	●	●	●	●	●	●	●	●	●	●	●	●	●	●	●
HP Sun/HP Sun Temp		●	●	●	●	●	●	●	●	●	●	●	●	●	●	●	●	●	●	●	●	●	●	●
3/8" Low-E/Temp		●	●	●	●	●	●	●	●	●	●	●	●	●	●	●	●	●	●	●	●	●	●	●
Single-Pane Impact		●	●	●	●	●	●	●	●	●	●	●	●	●	●	●	●	●	●	●	●	●	●	●

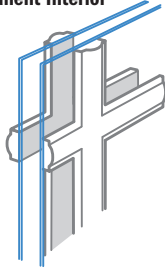
Options / Accessories

400 Series Grille Options

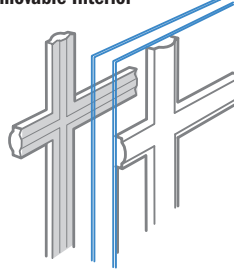
Andersen® Divided Light Grille
Permanent Exterior
Permanent Interior
with Spacer



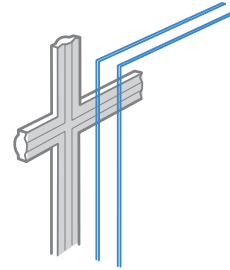
Andersen® Divided Light Grille
Permanent Exterior
Permanent Interior



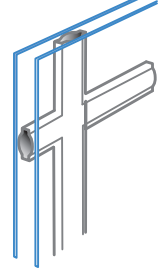
Andersen® Divided Light Grille
Permanent Exterior
Removable Interior



Removable
Interior

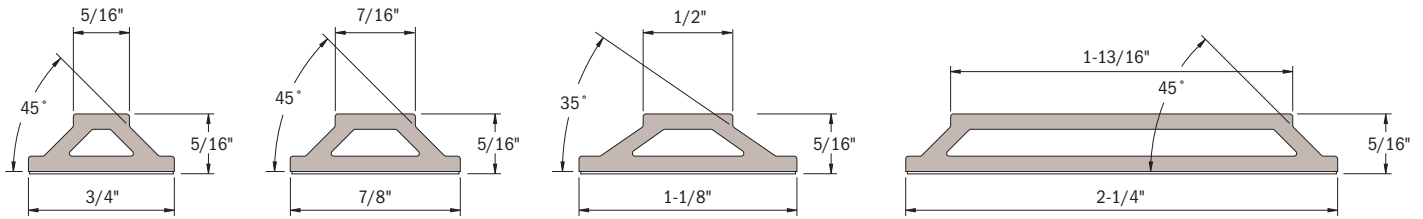


Andersen® Finelight™
Grilles-Between-the-Glass

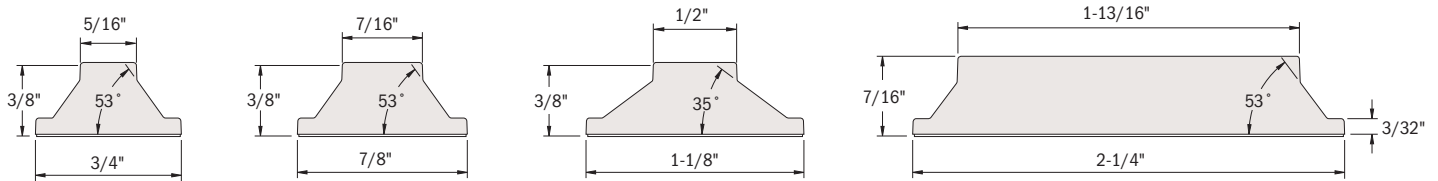


Grille Profiles · Scale = Full · Dimensions include thickness of tape.

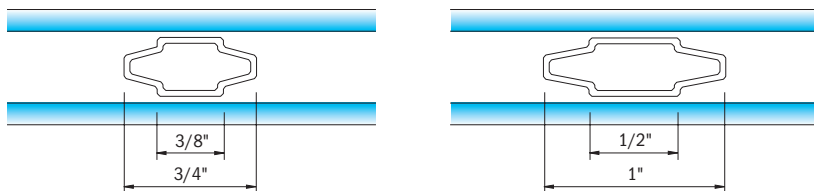
Permanent Exterior Fibrex® Material Grille Profiles (chamfer profile). Also used for pre-finished interior, except 400 Series Woodwright® double-hung windows.



Permanent Interior Wood Grille Profiles (chamfer profile).



Andersen® Finelight™ Grilles-Between-the-Glass.

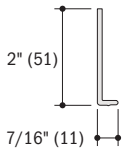
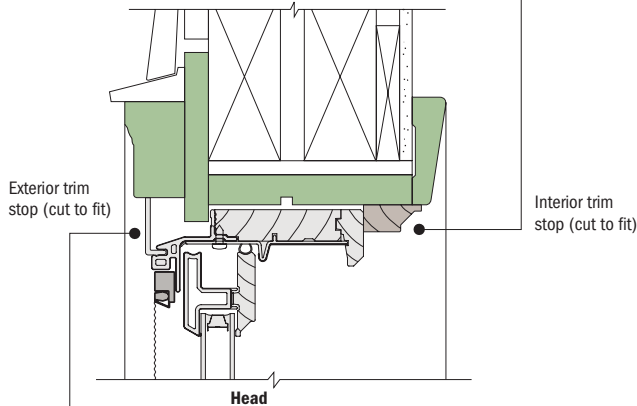
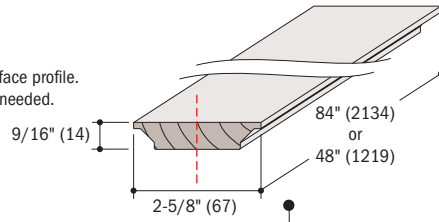


Options / Accessories

Installation Trim Parts Scale 3" = 1'-0" (1:4)

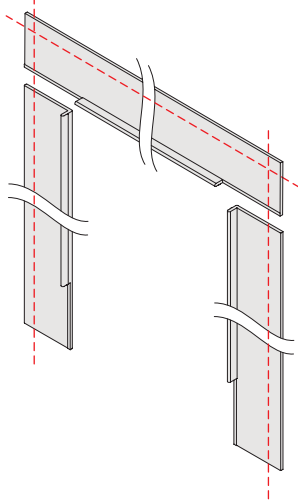
Interior Trim Stop

Optional Andersen® interior trim stop with dual face profile. Cut to width and length as needed.



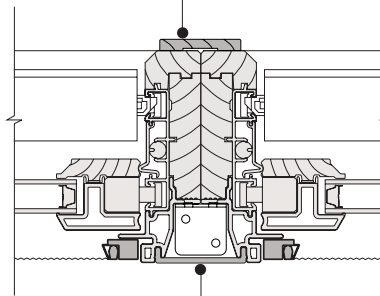
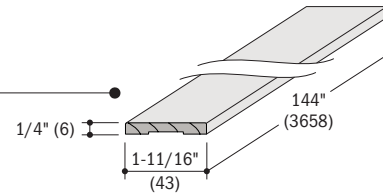
Exterior Trim Stop

Andersen® exterior trim stops are supplied with each unit. Cut to width at job site.



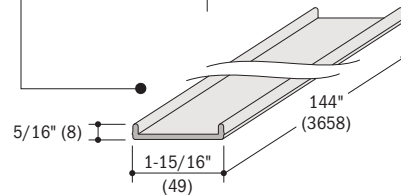
Interior Joining Strip

Optional Andersen® interior joining strip.



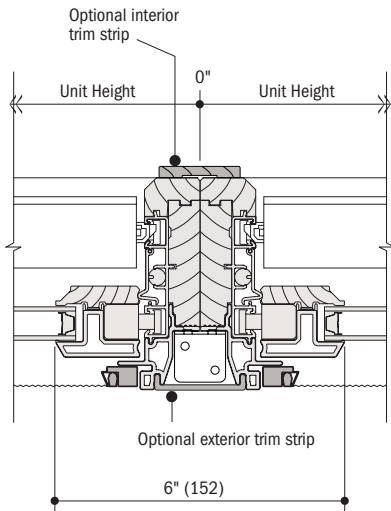
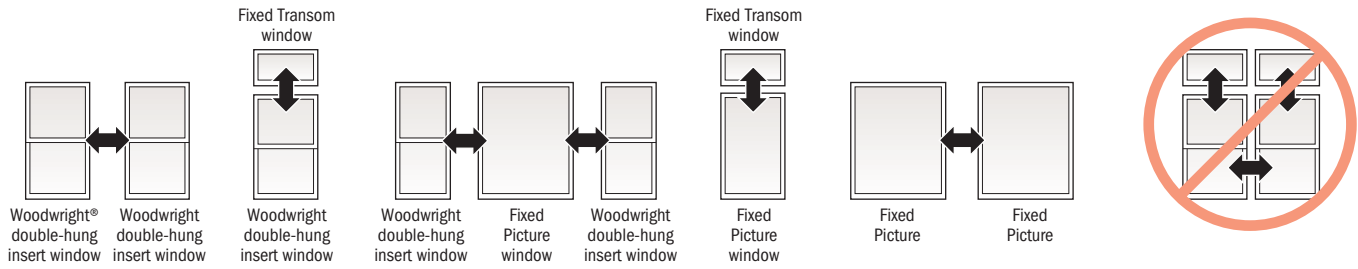
Exterior Joining Strip

Optional Andersen® exterior joining strip.

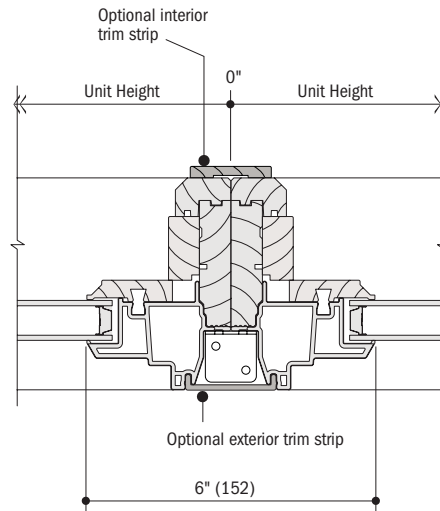


Non-Reinforced One Way Joining – Vertical or Horizontal

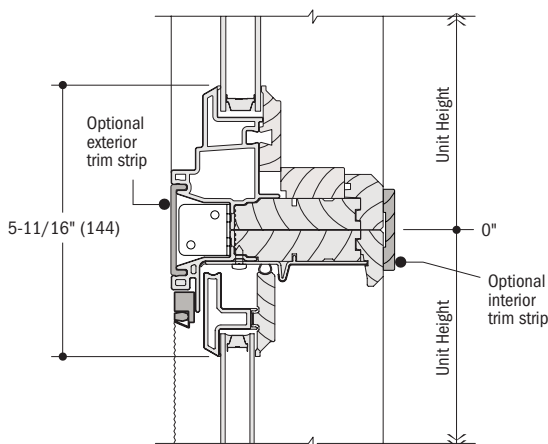
Scale 3" = 1'-0" (1:4)



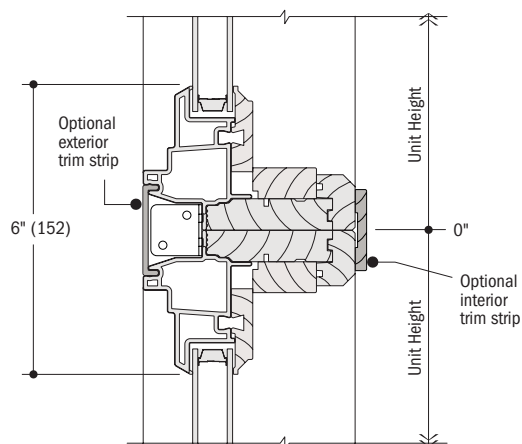
Double-Hung Insert to Double-Hung Insert Window



Picture or Transom Insert to Picture or Transom Insert Window



Transom Insert Over Double-Hung Insert Window



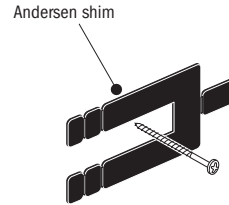
Transom Insert Over Picture or Transom Insert Window

Anchoring Method

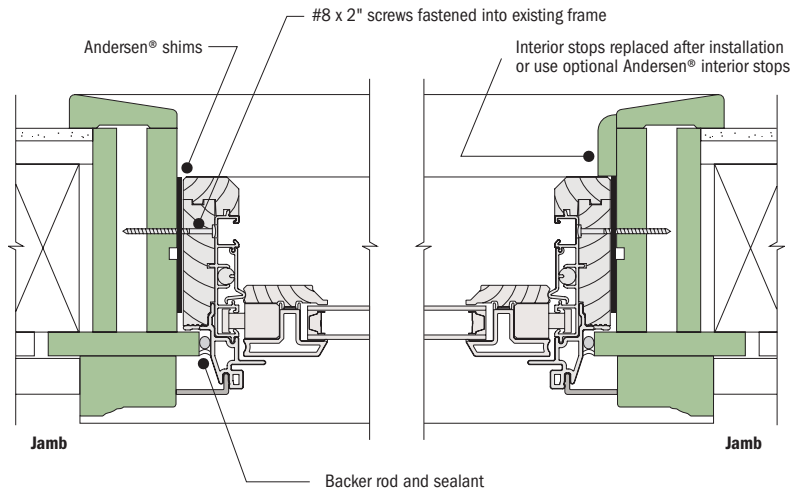
Installation Screws Scale 3" = 1'-0" (1:4)

The Woodwright® double-hung insert window is secured in the existing window frame by using 2" (51) screws and shims through the side jambs of the insert window into the existing window frame.

Shims, screws and backer rod are included with each insert window.



Interior Installation



Exterior Installation

